

STENCIL STORAGE & STAGING

PROTECTS EXPENSIVE STENCILS AND REDUCES PRODUCTION DEFECTS



A.



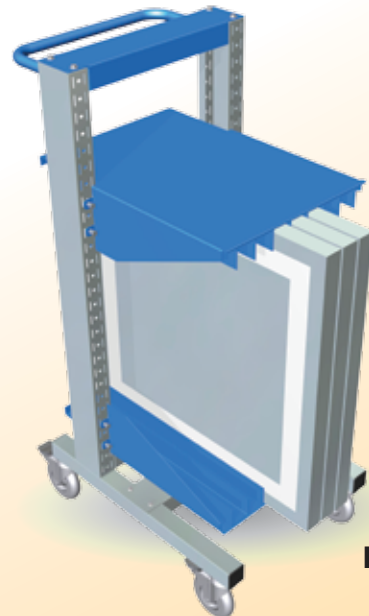
B.



C.



D.



E.

STENCIL FRAME HANDLING & STORAGE

REDUCES EXPENSIVE PRODUCTION DEFECTS AND REWORK

FEATURES

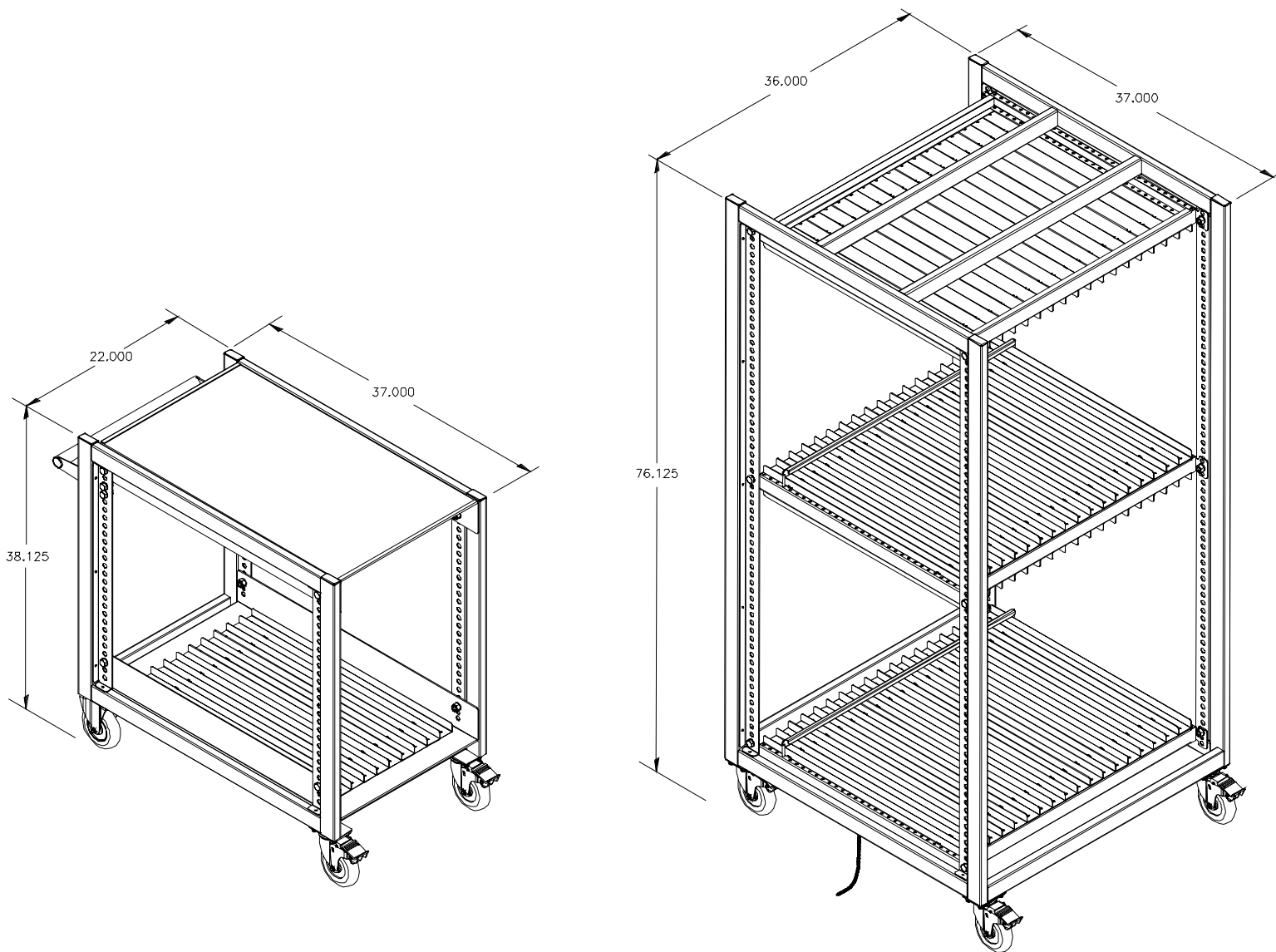
- Keeps stencils safe and clean
- Minimizes handling which can damage stencils
- Fully adjustable shelf height
- Configuration flexibility saves space

- Supports virtually all stencil sizes
- Stencils slide easily on a smooth-loading, solid surface
- Enclosed configurations available
- Available with adjustable leveling feet for fixed storageing

Custom sizes and features available.

See all the options and accessories online

www.blissindustries.com



A Step Towards Lean Manufacturing

Complete details and catalog online



BLISS
INDUSTRIES, INC.

386 Railroad Ct.
Milpitas, CA 95035

Phone: 408-945-8401 • Fax: 408-945-1914

sales@blissindustries.com • www.blissindustries.com

Bliss Stencil Frame Carts safely store your expensive stencil frames. These carts are constructed of welded steel, an important advantage over plywood racks that can generate sawdust and debris, clogging apertures and creating defects in final assemblies. Available in a choice of configurations, these carts can accommodate most frame sizes. Four different channel widths are available to hold stencils of various thicknesses, and shelf height is fully adjustable. Optional backstop bars provide a stop for the frames to keep them neatly aligned.