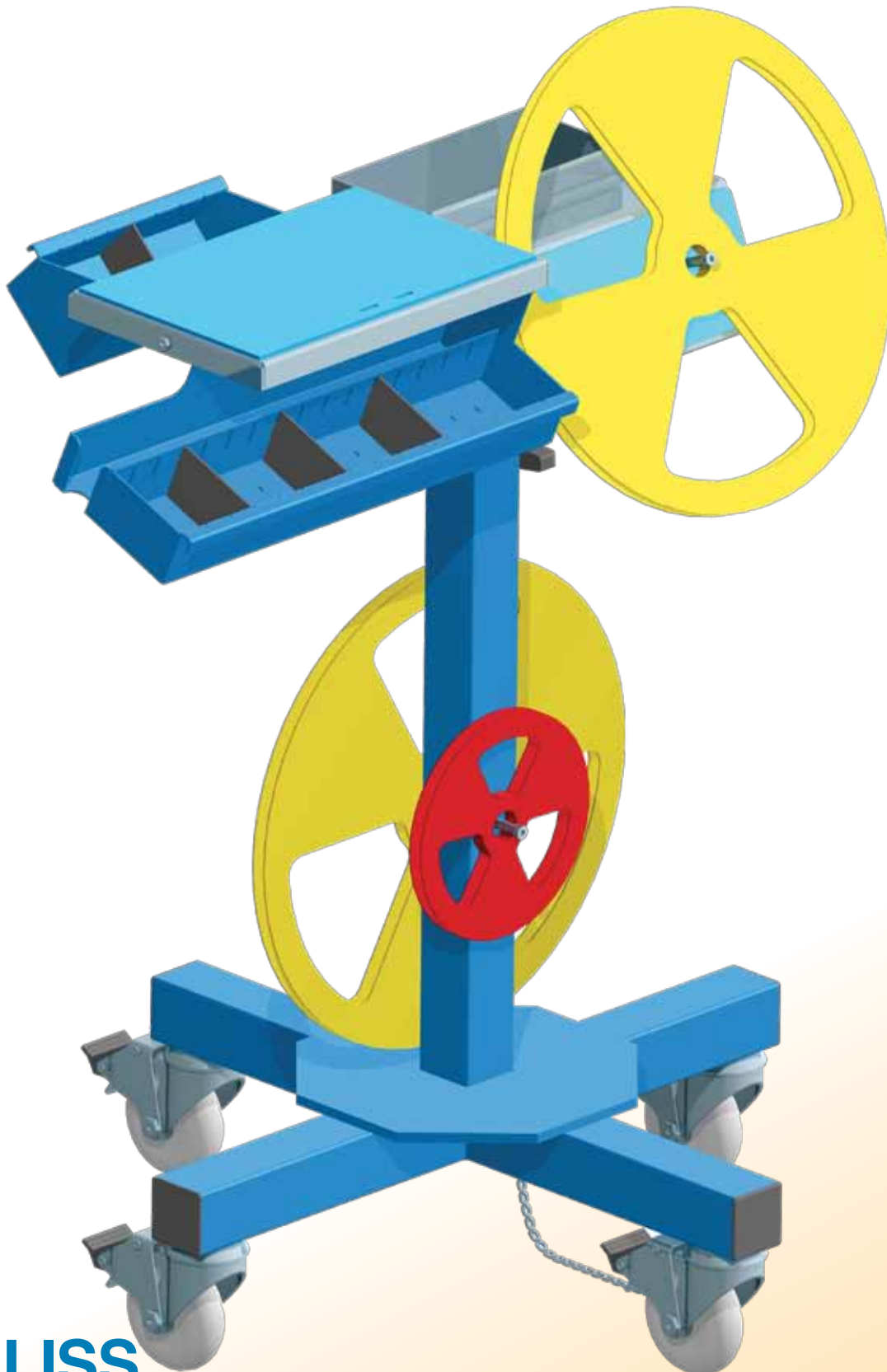


SMT SPLICING CART

SMART HANDLING SOLUTIONS



BLISS

INDUSTRIES, INC.

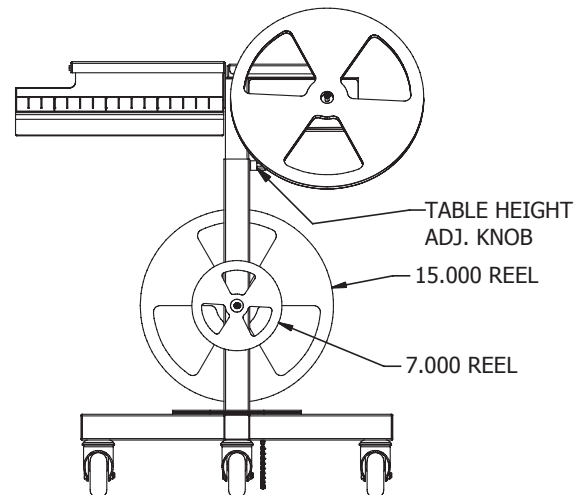
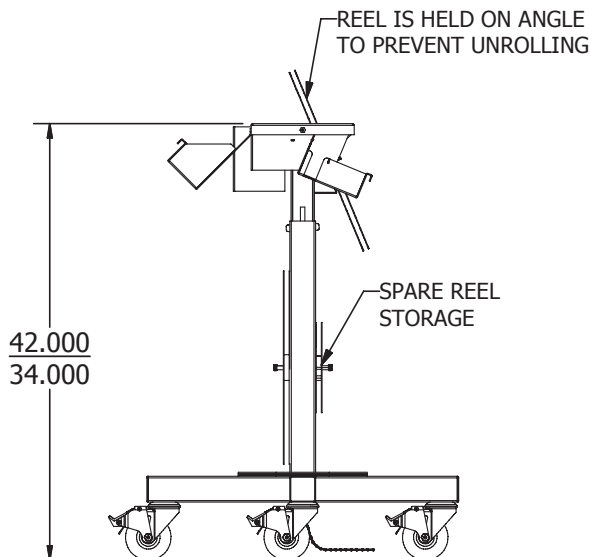
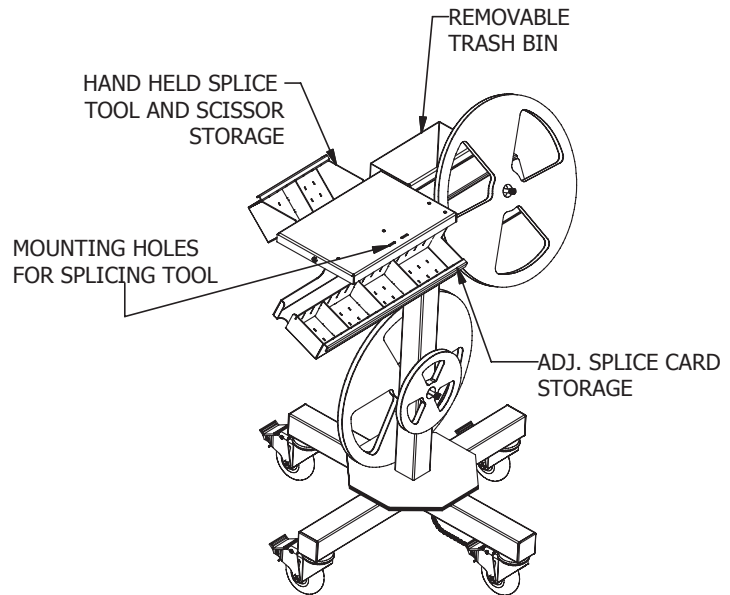
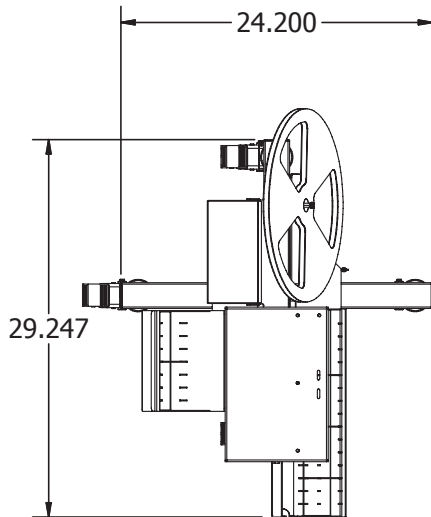
408-945-8401

www.blissindustries.com

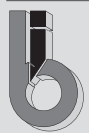
SMT SPLICING CART

FEATURES

- Rolls up to feeder bank or pick and place machine for easy splicing of SMT reels
- Offers adjustable storage for 1 splicing tool, scissors, and holes in worksurface to bolt down a fixed splicing tool.
- It has adjustable storage for splice strips, splice clips, leader tape, and even a removable trash bin for waste.
- The table height is easily adjustable
- The table top surface comes standard with Bliss Blue ESD softsurface material.
- The table top has a built in wrist strap ESD common ground plug.
- ESD safe with ground chain.



A Step Towards Lean Manufacturing
Complete details and catalog online



BLISS
INDUSTRIES, INC.

386 Railroad Ct.
Milpitas, CA 95035

Phone: 408-945-8401 • Fax: 408-945-1914
sales@blissindustries.com • www.blissindustries.com

Used to efficiently handle splicing of SMT component tape on the fly to dramatically reduce downtime on the pick and place machine.

Custom sizes and features available
See all the options and accessories online
www.blissindustries.com