

Tray / Tote Cart, Adjustable

A FLEXIBLE TRAY / TOTE STORAGE SYSTEM

SMART HANDLING SOLUTIONS



A.

B.

C.



BLISS

INDUSTRIES, INC.

408-945-8401

www.blissindustries.com

Tray / Tote Cart, Adjustable

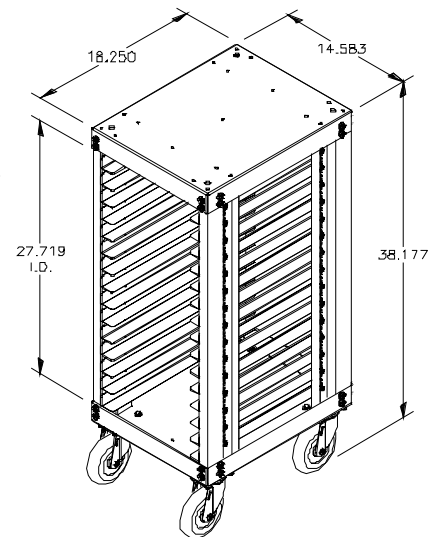
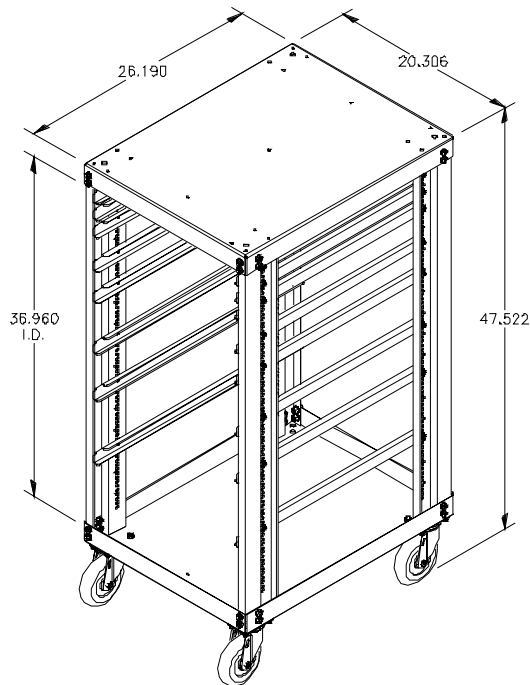
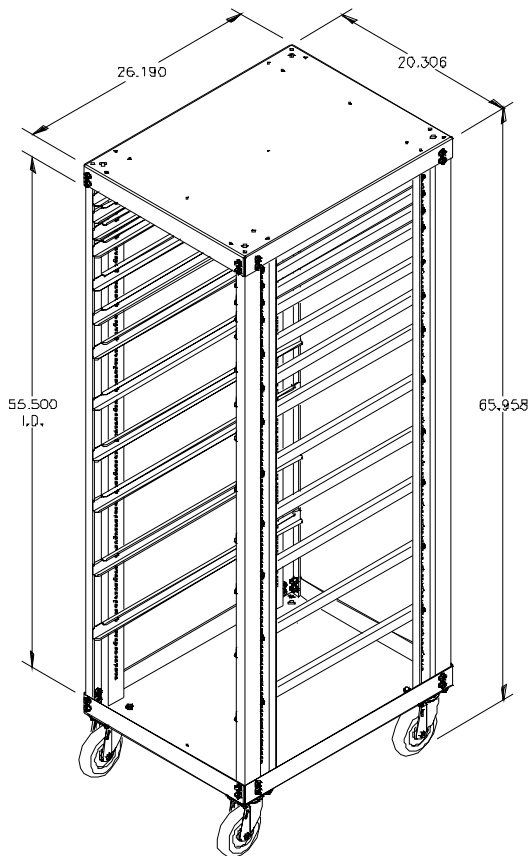
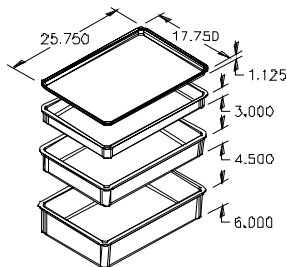
A FLEXIBLE TRAY / TOTE STORAGE SYSTEM

FEATURES

- BlissTotes are 18W x 26L, with depths of 1", 3", 4.5, and 6"
- ESD Safe.
- BlissTotes can stack
- Holds trays and totes
- Airtight lids available
- Adjustable rails on 1/2" centers
- Protects and simplifies bulk item storage.
- Heavy-duty steel construction with zinc plated finish.
- Perfect for PC board, box build, system build, final assembly.
- Easy-to-roll, harmonic vibration absorbing casters.
- Cart is available in various heights

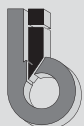
Custom sizes and features available.

See all the options and accessories online.



A Step Towards Lean Manufacturing

Complete details and catalog online



BLISS
INDUSTRIES, INC.

386 Railroad Ct.
Milpitas, CA 95035

Phone: 408-945-8401 • Fax: 408-945-1914
sales@blissindustries.com • www.blissindustries.com

Bliss ESD Safe Tray/Tote Cart protects your products and keeps them organized. The Bliss Adjustable Rail Cart and BlissTotes covers all your handling and storage needs for all types and size of components, wire harnesses, sheetmetal parts, plastic parts and more. Perfect for production lines and inventory storage.